

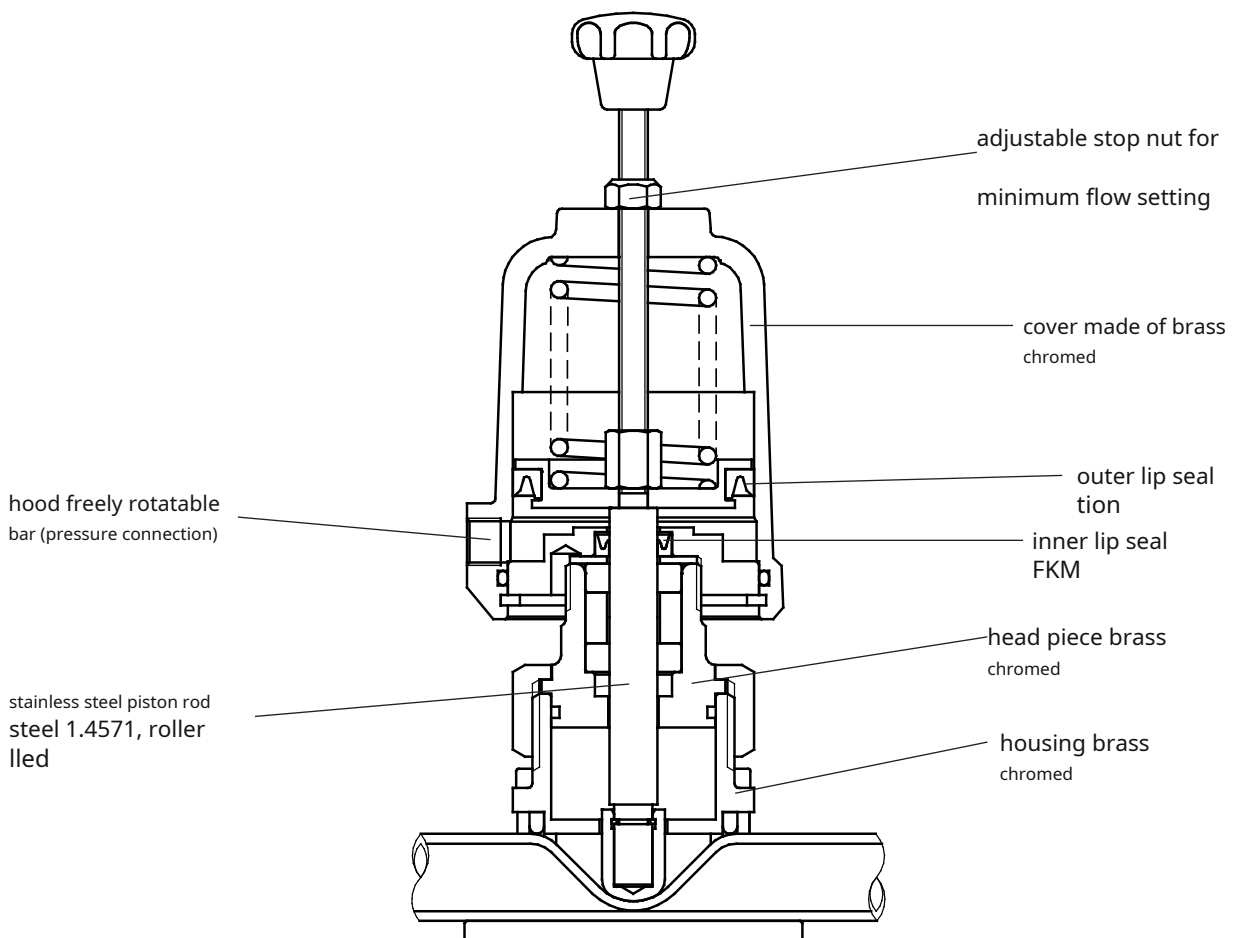
Hose valve for Endless hoses 7072

DN 6 to DN 14



Valves for special use in the chemical, food and pharmaceutical industries.

- Quick, trouble-free hose change
- By replacing the fixing pieces for hoses DN 6 to DN 14 (for hose outside diameters of 10 to 18 mm)
- No dead spaces and undercuts, therefore steam and hot air sterilizable
- The medium does not come into contact with the valve
- Setting a minimum flow
- Pneumatic drive

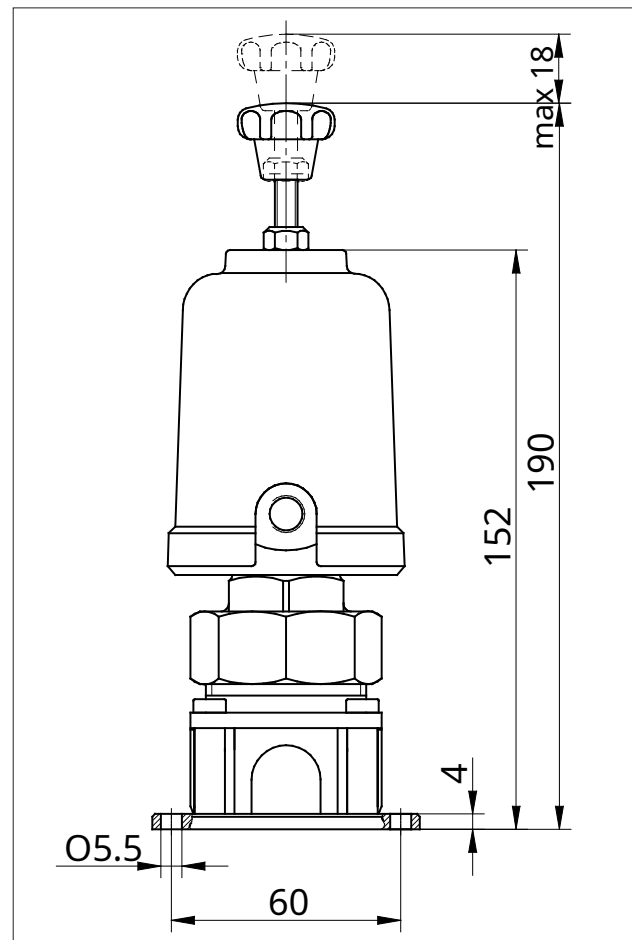
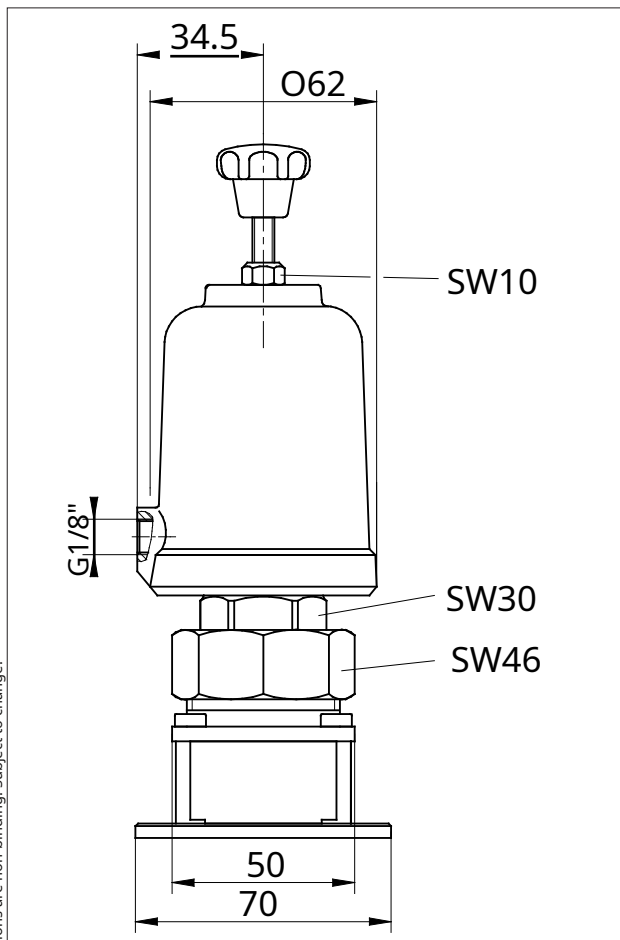


Hose valve for Endless hoses 7072

Technical specifications

nominal widths	DN 6 - 8 - 10 - 12 - 14
outer diameter	10 - 12 - 14 - 16 - 18mm
3 interchangeable fixing pieces	10 - 14 - 18mm
housing material	Chrome-plated brass (no contact with the medium)
operating pressure	0 - 4 bar depending on hose quality, shore hardness and wall thickness
hose qualities	all elastomers up to a shore hardness of 65°A
control pressure	2.5 - 10 bars
Connection thread for control air	1/8"
media temperature	- 30°C to +170°C (depending on the hose quality used)
ambient temperature	- 30°C to +60°C
viscosity of the medium	up to 0.001 m ² /s (1000cSt, 132°E)
Weight	1.6kg

Dimensions



Information and illustrations are non-binding. Subject to change.