

## SE 554 Memosens pH/ORP Sensor

Low-maintenance sensor for demanding process applications in the chemical industry, digital, with Memosens technology

The special design provides high accuracy, stability, speed, and a long life cycle. Through 2 open junctions, the reference system is in direct contact with the measured medium. There is hardly any risk of contamination or blocking of the junction. The high content and special distribution of potassium chloride in the polymer reduces measurement disturbances which could be caused by liquid junction potentials.

### Applications

Measurement in media of extremely high ionic strength, salt brines, strongly oxidizing media, acidic and alkaline media.

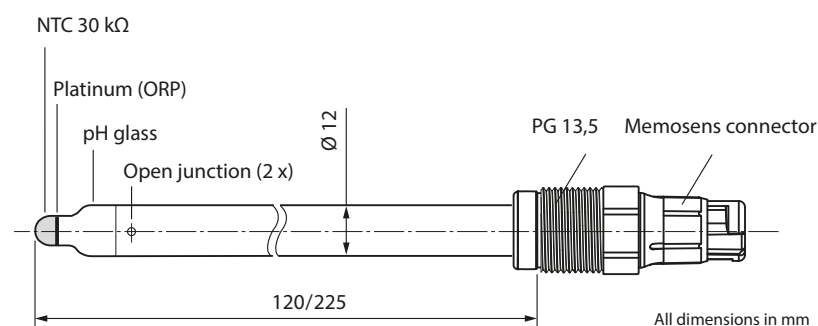
### Specifications

pH:	0 ... 14
ORP:	-1500 ... 1500 mV
Temperature:	0 ... 130 °C
Pressure, relative:	0 ... 10 bar
Temperature detector:	NTC 30 kΩ
pH sensor material:	Alpha glass
ORP sensor material:	Platinum
Reference system:	Ag/AgCl, polymer electrolyte
Junction:	Hole (2 x)
Length:	120 mm / 225 mm
Process adaptation:	PG 13.5
Sensor connector:	Memosens
ATEX marking	II 1 G Ex ia IIC T3 / T4 / T6 Ga
FM marking:	IS for Class I, Division 1, Groups A, B, C, D; Class I, Zone 0, AEx/Ex ia IIC T6 ... T4 NIFW for Class I, Division 2, Groups A, B, C, D; Class I, Zone 2, IIC T6 ... T4

### Facts

- Simultaneous measurement of pH and ORP
- Perfect galvanic isolation thanks to Memosens technology
- No influence of humidity in the connector
- Precalibration in the lab
- Digital data transfer
- Integrated sensor diagnostics
- Low maintenance, no refilling of electrolyte
- Integrated temperature detector
- Open junctions, no blocking

### Maßzeichnung



# SE 554 Memosens pH/ORP Sensor

## Product line

### Sensor

Sensor	Length	Order No.
SE 554 pH/ORP sensor	120 mm	SE 554X/1-AMSN
	225 mm	SE 554X/2-AMSN

### Accessories

Accessories	Length	Order No.
Memosens cable	3 m	CA/MS-003NAA
	5 m	CA/MS-005NAA
	10 m	CA/MS-010NAA
	20 m*)	CA/MS-020NAA

Accessories	Length	Order No.
Memosens cable, Ex	3 m	CA/MS-003XAA
	5 m	CA/MS-005XAA
	10 m	CA/MS-010XAA
	20 m*)	CA/MS-020XAA

### CaliMat Buffer Solutions (20 °C)

CaliMat Buffer Solutions (20 °C)	Quantity	Order No.
pH value 2,00 ± 0,02	250 ml	CS-P0200/250
	250 ml	CS-P0400/250
pH value 4,00 ± 0,02	1000 ml	CS-P0400/1000
	3000 ml	CS-P0400/3000
	250 ml	CS-P0700/250
pH value 7,00 ± 0,02	1000 ml	CS-P0700/1000
	3000 ml	CS-P0700/3000
	250 ml	CS-P0900/250
pH value 9,00 ± 0,02	1000 ml	CS-P0900/1000
	3000 ml	CS-P0900/3000
	250 ml	CS-P1200/250
pH value 12,00 ± 0,05	250 ml	CS-P1200/250
	250 ml	ZU 0317
ORP buffer solution +220 mV	250 ml	ZU 0317

### MemoSuite

Management software for Memosens sensors		Order No.
	Basic version (calibration)	SW-MS1400-B
	Advanced version (calibration, diagnostics, documentation)	SW-MS1400-A

\*) Greater lengths on request