



KUR 5/K/.. compact cooling ceiling controller for safety extra low voltage SELV

for direct mounting on a copper pipe,
with integrated FTS/KO-1 film sensor

for detection of moisture on a copper pipe of a cooling
ceiling and for cooling ceiling control

Conductive relay for mounting on a copper pipe.

The KUR 5/K/.. compact cooling ceiling controllers are designed to measure the moisture between the printed conductors of the FTS/KO-1 film sensor located on a plate on the bottom of the housing and to switch the built-in output relay when a set sensitivity level is reached, thus permitting activation of an external solenoid valve.

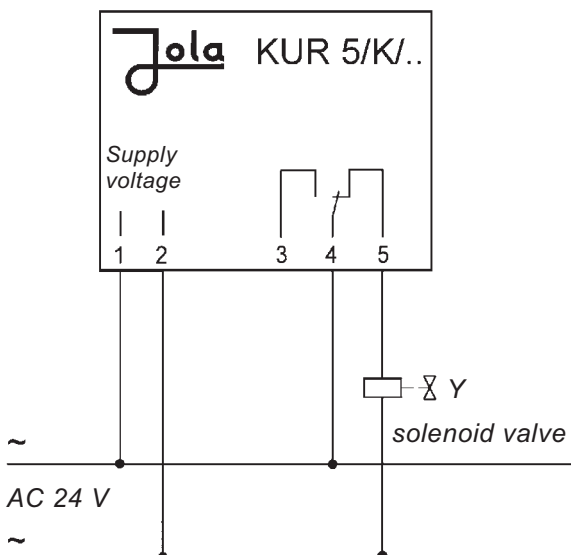
The compact cooling ceiling controllers are in protective circuit design: the potential-free changeover contact is in quiescent current design - in other words, the relay is energised when the sensor is dry.



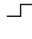
KUR 5/K/WI



KUR 5/K/BA



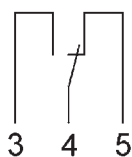
Position of contact in no-current status

Technical data	KUR 5/K/WI	KUR 5/K/BA
Application range	for mounting on a copper pipe with an external diameter between 10 mm and 25 mm 25 mm and 32 mm (for inquiries or orders please always state the outer diameter! special executions on request)	
Supply voltage (terminals 1 and 2)	AC 24 V (safety extra low voltage SELV), further supply voltage on request	
Power consumption	approx. 3 VA	
Control circuit	2 terminals (under safety extra low voltage SELV), acting on 1 output relay without self-hold	
– no-load voltage	9 V _{eff}  10 Hz (safety extra low voltage SELV)	
– short-circuit voltage	0.3 mA	
– response sensitivity	approx. 50 kΩ or approx. 20 μS (electric conductance)	
Controlled circuit (terminals 3, 4, 5)	1 single-pole potential-free changeover contact without self-hold quiescent current	
Operating principle	max. AC 24 V (safety extra low voltage SELV)	
Switching voltage	max. AC 4 A	
Switching current	insulating material, with 2 M 20 x 1.5 cable entries	
Housing	internal terminals	
Connection	IP 54	
Protection class	on a copper pipe using a copper angle and 2 cable binders	on a copper pipe using a tape clip
Mounting	any	
Mounting orientation	> 0°C to + 60°C	
Temperature range	for interference emission in accordance with the appliance- specific requirements for households, business and commerce as well as small companies, and for interference immunity in accordance with the appliance-specific requirements for industrial companies.	
EMC		

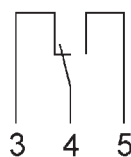
Mounting instructions:

The KUR 5/K/.. compact cooling ceiling controllers should be installed at the point on the copper pipe where moisture is most probably expected to occur. After fastening the cooling ceiling controller to the pipe, do not push the cable binder ends or the protruding end of the tape clip between the foil sensor and the housing as this could damage the film sensor.

Position of the output contact in the KUR 5/K/.. compact cooling ceiling controller



*KUR 5/K/.. without voltage -
sensor dry or moistened -
output relay not energized*

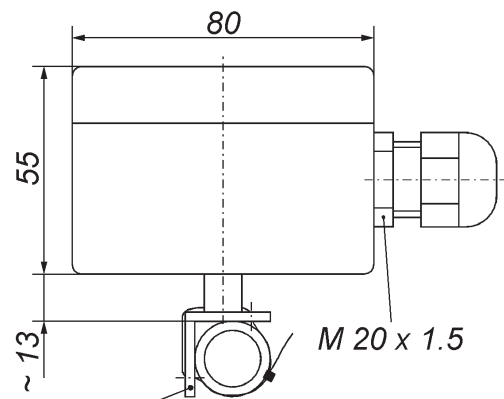
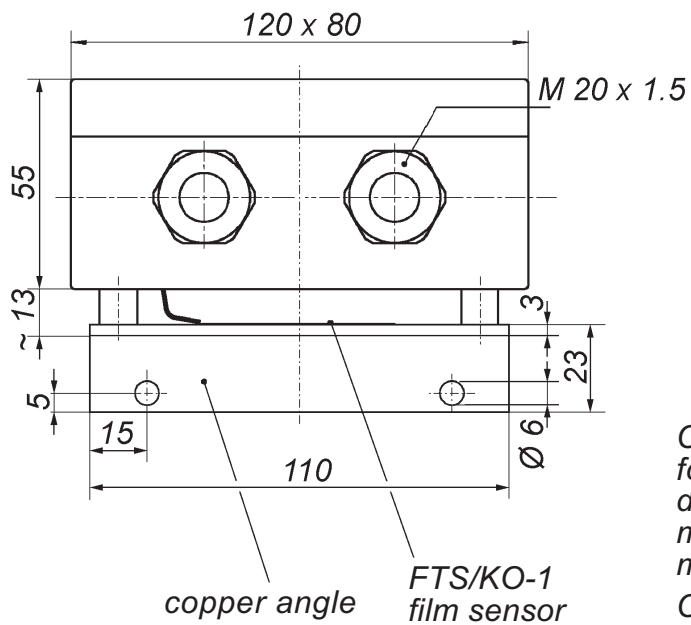


*KUR 5/K/.. under voltage -
sensor dry -
output relay energized*



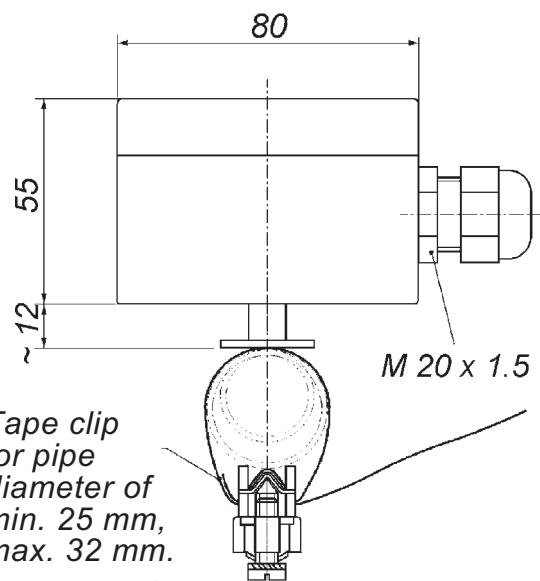
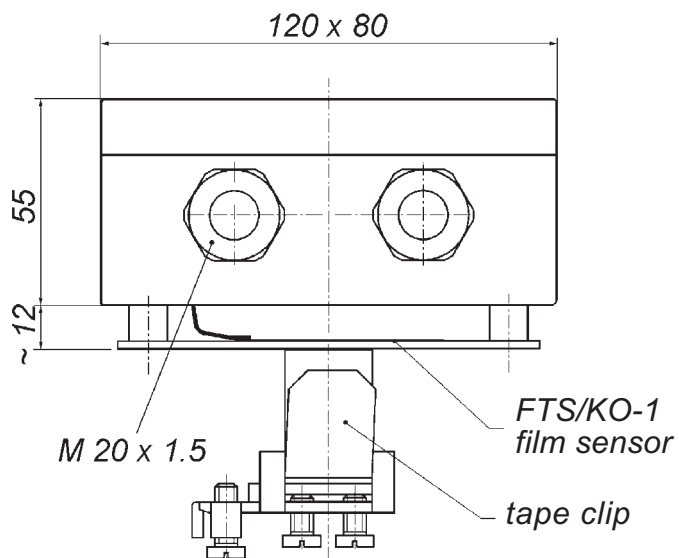
*KUR 5/K/.. under voltage -
sensor moistened -
output relay not energized*

Dimensional drawing KUR 5/K/WI



Copper angle for pipe diameter of min. 10 mm, max. 25 mm.
Copper angles for other pipe diameters on request.

Dimensional drawing KUR 5/K/BA



Tape clip for pipe diameter of min. 25 mm, max. 32 mm.
Tape clips for other pipe diameters on request.